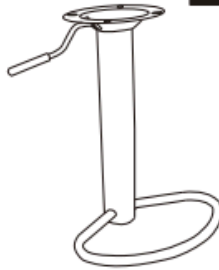


PARTS

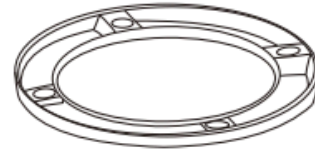
A x1



B x1



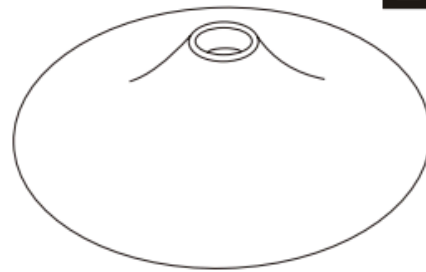
C x1



D x1

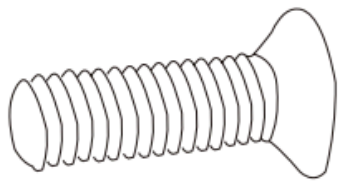


E x1

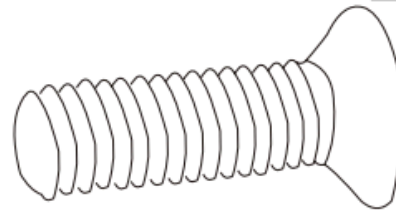


HARDWARE

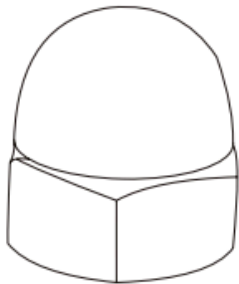
F x2
M8*25



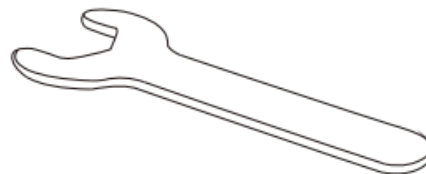
G x2
M8*28



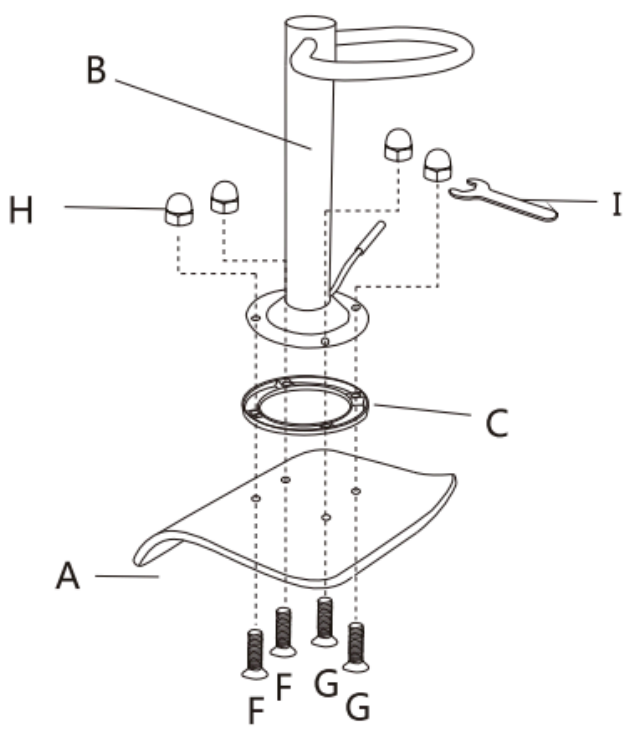
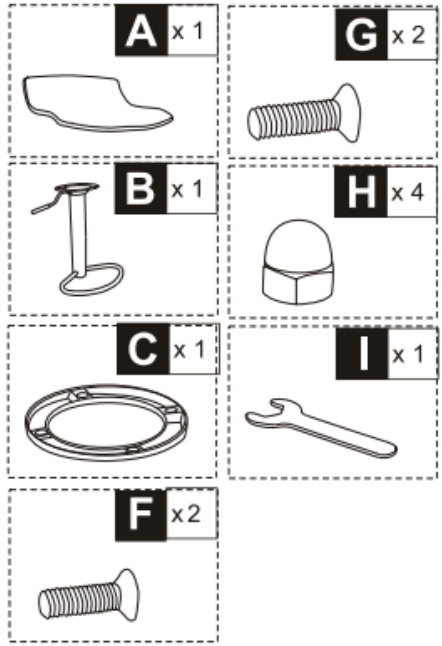
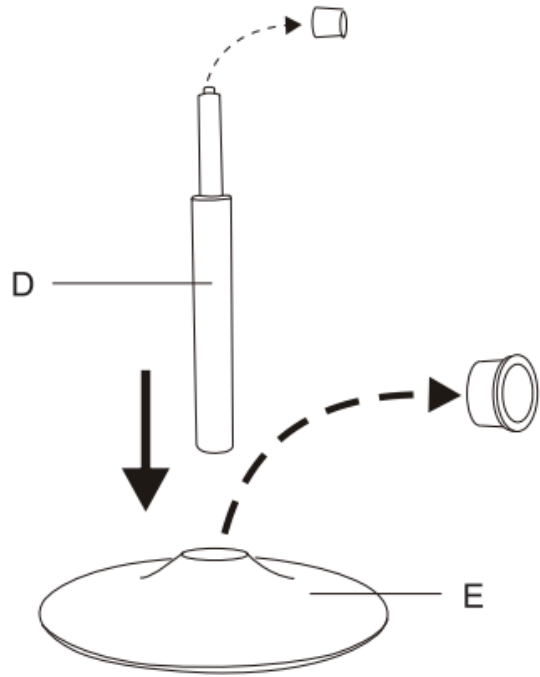
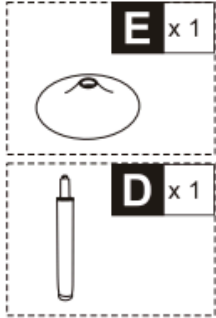
H x4



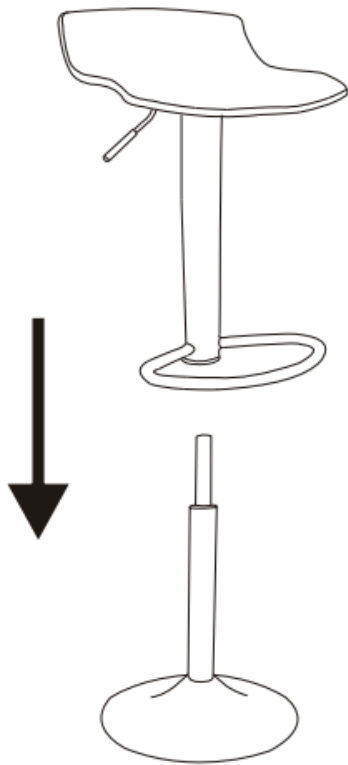
I x1



TAKE OFF THIS CAP BEFORE ASSEMBLING



03



Done

